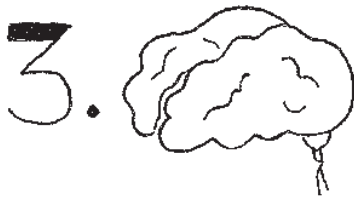


MANUAL

FOR A LOSS MACHINE

INSTRUCTIONS:

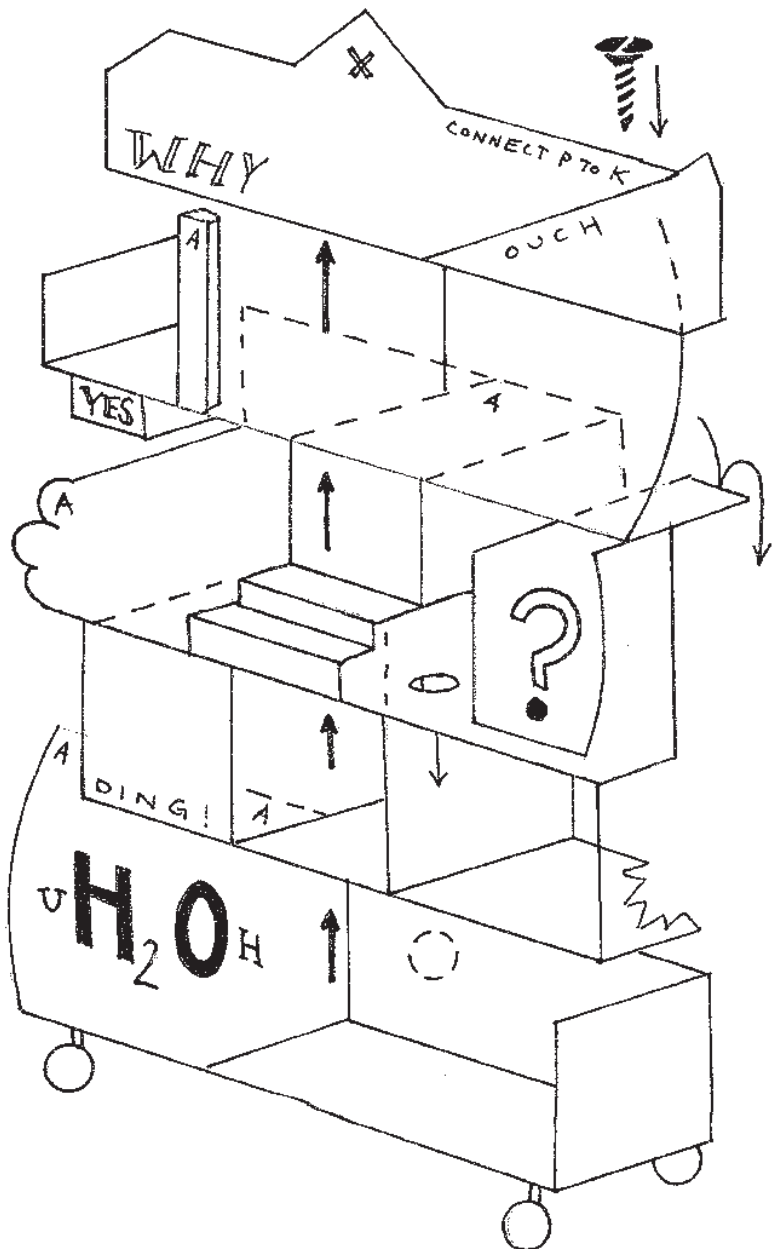


QUESTIONS:
* SEE INSERT

In Operation Since:
Model ___ of ___
UNKNOWN

PATENT EXPIRED

ASSEMBLY:



SEE NEXT PAGE FOR HELP